

4

3

2

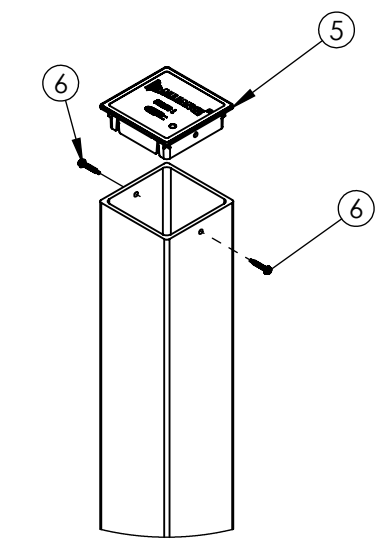
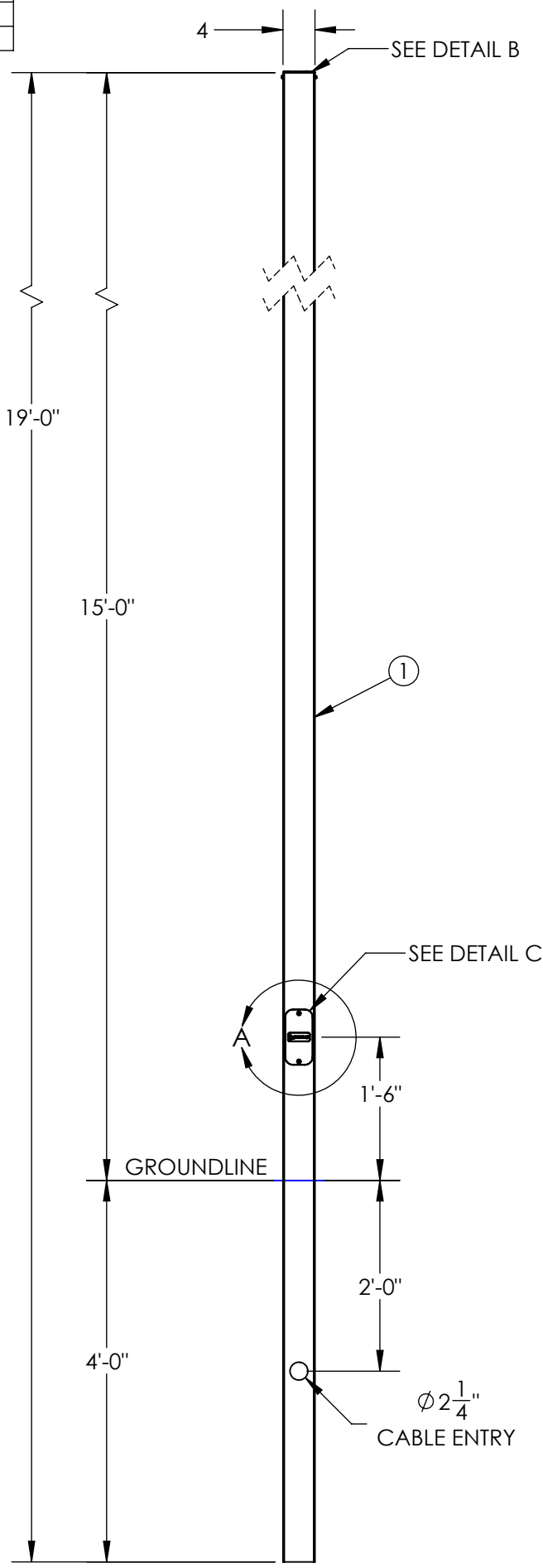
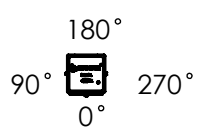
1

ITEM NO.	DESCRIPTION	QTY.
1	BEAM, PULTRUDED STOCK	1
2	RIVET NUT, 1/4-20	2
3	HANDHOLE COVER	1
4	PHILLIPS SCREW, 1/4"-20x3/4"	2
5	TOP CAP	1
6	HEX SCREW, #8-18 x 1 in	2

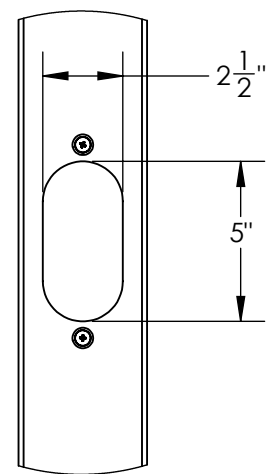
REVISIONS				
REV.	DESCRIPTION	DATE	INITIALS	ECO
0.1	UPDATE NOTES	7/11/2023	AJH	6243
0.2	UDPATE DRAWING FORMAT	2023-09-29	IAB	
1.0	UPDATE EPA TABLE AND SHEET FORMAT	4/9/2024	ARK	6714

FEATURE ORIENTATIONS				
	0°	90°	180°	270°
HAND HOLE	X			
CABLE ENTRY	X			

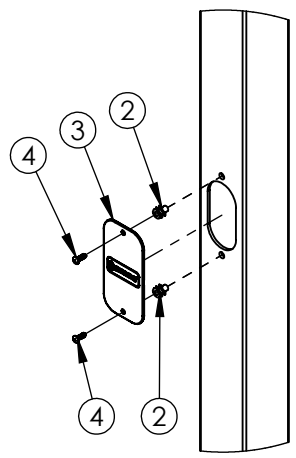
**NOTE:** ALL HOLES DRILLED ONLY THROUGH THE FACES SPECIFIED BY 'X'



DETAIL B  
TOP CAP ASSEMBLY  
SCALE 1 : 8



DETAIL A  
HANDHOLE CUTOUT  
COVER REMOVED FOR CLARITY  
SCALE 1 : 6



DETAIL C  
COVER ASSEMBLY  
SCALE 1 : 12

△ 1.0	BUILD		STANDARD							
	FINISH		SMOOTH							
<b>MAXIMUM EPA PER WINDZONE</b>										
MPH	90	100	110	120	130	140	150	160	170	180
EPA	26.4	20.6	16.3	13	10.7	10.1	8.3	6.7	5.5	4.4

- NOTES:**
- DIRECT BURIAL CLASS 1 POLE PER ASTM 4923. POLE TOP DEFLECTION SHALL NOT EXCEED 15% OF THE ABOVE GROUND HEIGHT AT MAXIMUM WIND LOADING AND MAXIMUM FIXTURE WEIGHT.
  - DESIGN CRITERIA PER AASHTO LTS-6-2013 WITH A MINIMUM SAFETY FACTOR OF 1.5 PER ANSI C136.20-2012.
  - WIND SPEEDS DEFINED AS 3 SECOND GUST PER ASCE 7-16 WITH VELOCITY CONVERSIONS PER 2018 IBC 1609.3.1.
  - EMBEDMENT BASED ON MINIMUM DEPTH RECOMMENDED BY ANSI C136.20-2012 SECTION 5.3 AND ASSUMING CLASS 1 SOIL OR BETTER WHEN LOADED AT MAXIMUM EPA.

**D4SS19F00S1** ↓ **GXHH**

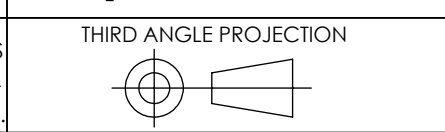
**G = GRAY**  
**A = BLACK**  
**F = BRONZE**  
**W = WHITE**  
**N = GREEN**

---UNLESS OTHERWISE SPECIFIED---  
 DIMENSION UNITS ARE IN FEET AND INCHES  
 DIMENSIONS SHOWN ARE NOMINAL

STATE:	RELEASED	2024-04-15
DRAWN:	CJM	2023-06-20
CHECKED:	IAB	2024-04-15
APPROVED:	ARK	2024-04-15
REPLACES:		



**PROPRIETARY AND CONFIDENTIAL**  
 THE INFORMATION CONTAINED IN THIS DRAWING IS THE SOLE PROPERTY OF GEOTEK. ANY REPRODUCTION IN PART OR AS A WHOLE WITHOUT THE WRITTEN PERMISSION OF GEOTEK IS PROHIBITED.



DESCRIPTION:  
**POLE SYSTEM, DIRECT BURIAL STANDARD DUTY, 19 FT**

1421 SECOND AVE NW  
 STEWARTVILLE, MN 55976  
 (800) 533-1680  
 www.geotek.com

CUSTOMER SIGNATURE: \_\_\_\_\_ DATE: \_\_\_\_\_

**-REFERENCES-**  
 alliancecompositesinc.com/warranty  
 geotek.com/termsandconditions

SIZE: DWG. NO.  
**B D4SS19F00S1XGXHH**

POLE COLOR: REV:  
 \_\_\_\_\_ 1.0