

4

3

2

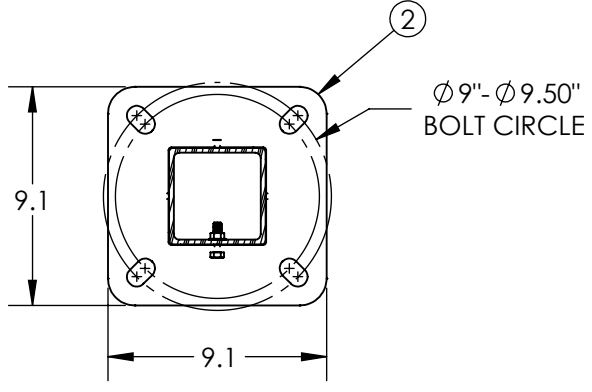
1

| ITEM NO. | DESCRIPTION | QTY. |
|----------|------------------------------|------|
| 1 | BEAM PULTRUDED STOCK | 1 |
| 2 | ANCHOR BASE, 4" SQUARE | 1 |
| 3 | HEX BOLT | 1 |
| 4 | FLANGE NUT, SERRATED | 1 |
| 5 | TOP CAP | 1 |
| 6 | HEX SCREW, SELF-TAPPING | 2 |
| 7 | RIVET NUT, 1/4-20 | 2 |
| 8 | HANDHOLE COVER | 1 |
| 9 | PHILLIPS SCREW, 1/4"-20x3/4" | 2 |

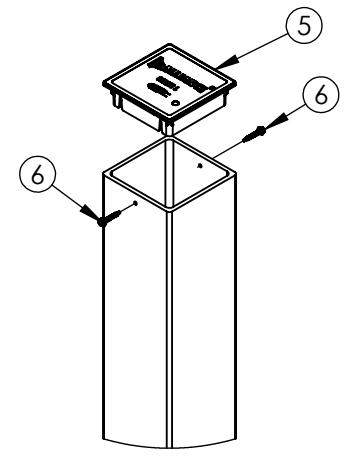
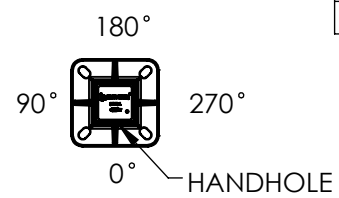
| REVISIONS | | | | |
|-----------|-----------------------------------|-----------|----------|------|
| REV. | DESCRIPTION | DATE | INITIALS | ECO |
| 0.1 | UPDATE NOTES | 7/11/2023 | AJH | 6243 |
| 1.0 | UPDATE EPA TABLE AND SHEET FORMAT | 4/9/2024 | ARK | 6714 |

| FEATURE ORIENTATIONS | | | | |
|----------------------|----|-----|------|------|
| | 0° | 90° | 180° | 270° |
| HAND HOLE | X | | | |

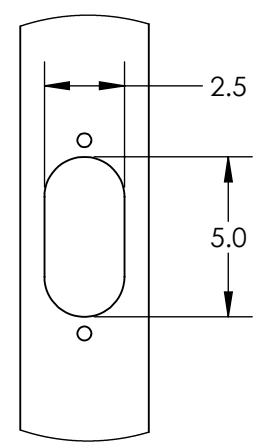
NOTE: ALL HOLES DRILLED ONLY THROUGH THE FACES SPECIFIED BY 'X'



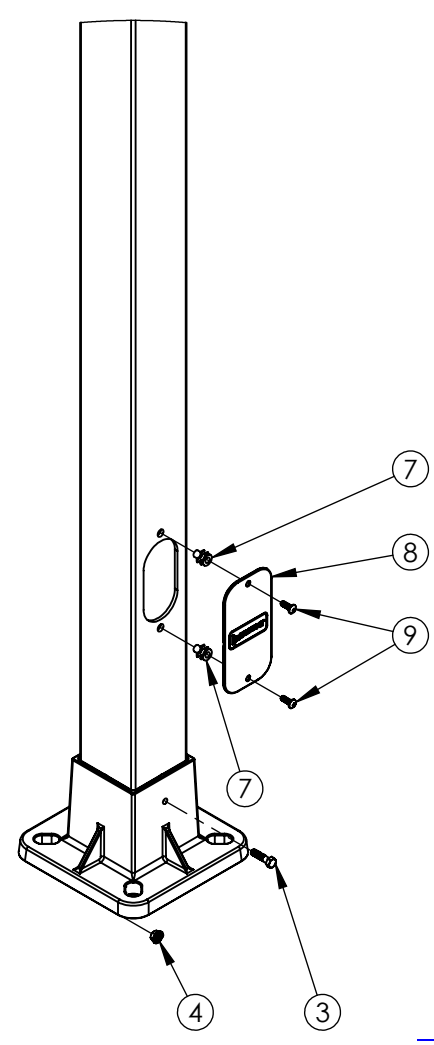
SECTION B-B
SCALE 1 : 8



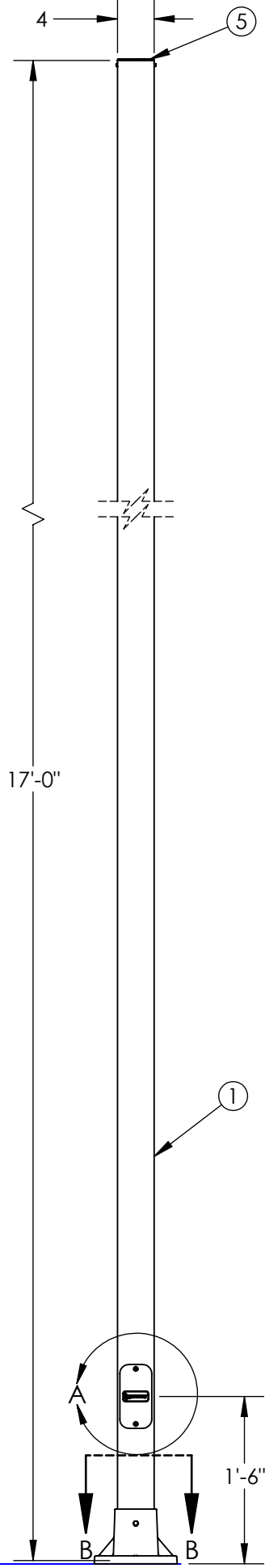
DETAIL C
TOP CAP ASSEMBLY
SCALE 1 : 8



DETAIL A
HANDHOLE CUTOUT
COVER REMOVED FOR CLARITY
SCALE 1 : 6



DETAIL D
BASE AND COVER
ASSEMBLY



| | | | | | | | | | | |
|---------------------------------|---------------|----------|-----|-----|-----|-----|-----|-----|-----|-----|
| △ 1.0 | BUILD | STANDARD | | | | | | | | |
| | FINISH | SMOOTH | | | | | | | | |
| MAXIMUM EPA PER WINDZONE | | | | | | | | | | |
| MPH | 90 | 100 | 110 | 120 | 130 | 140 | 150 | 160 | 170 | 180 |
| EPA | 9.9 | 7.1 | 5 | 3.5 | 2.3 | 2.1 | 1.2 | 0.4 | - | - |

A4SS17F00S1 ↓ GXHH

G = GRAY
A = BLACK
F = BRONZE
W = WHITE
N = GREEN

- NOTES:**
1. ANCHOR BASE CLASS 1 POLE PER ASTM 4923. POLE TOP DEFLECTION SHALL NOT EXCEED 15% OF THE ABOVE GROUND HEIGHT AT MAXIMUM WIND LOADING AND MAXIMUM FIXTURE WEIGHT.
 2. DESIGN CRITERIA PER AASHTO LTS-6-2013 WITH A MINIMUM SAFETY FACTOR OF 1.5 PER ANSI C136.20-2012.
 3. WIND SPEEDS DEFINED AS 3 SECOND GUST PER ASCE 7-16 WITH VELOCITY CONVERSIONS PER 2018 IBC 1609.3.1.

---UNLESS OTHERWISE SPECIFIED---
 DIMENSION UNITS ARE IN FEET AND INCHES
 DIMENSIONS SHOWN ARE NOMINAL

PROPRIETARY AND CONFIDENTIAL
 THE INFORMATION CONTAINED IN THIS DRAWING IS THE SOLE PROPERTY OF GEOTEK. ANY REPRODUCTION IN PART OR AS A WHOLE WITHOUT THE WRITTEN PERMISSION OF GEOTEK IS PROHIBITED.

CUSTOMER SIGNATURE: _____ DATE: _____

| | | |
|-----------|----------|------------|
| STATE: | RELEASED | 2024-04-15 |
| DRAWN: | CJM | 2023-06-22 |
| CHECKED: | IAB | 2024-04-12 |
| APPROVED: | ARK | 2024-04-15 |
| REPLACES: | - | |

THIRD ANGLE PROJECTION

-REFERENCES-
 alliancecompositesinc.com/warranty
 geotek.com/termsandconditions

A Whole New World of Composites

DESCRIPTION:
**POLE SYSTEM, ANCHOR BASE
 STANDARD DUTY, 17 FT**

1421 SECOND AVE NW
 STEWARTVILLE, MN 55976
 (800) 533-1680
 www.geotek.com

SIZE: DWG. NO. **B A4SS17F00S1XGXHH**

SCALE: 1:10

POLE COLOR: REV: 1.0

SHEET 1 OF 1

4

3

2

1