

4

3

2

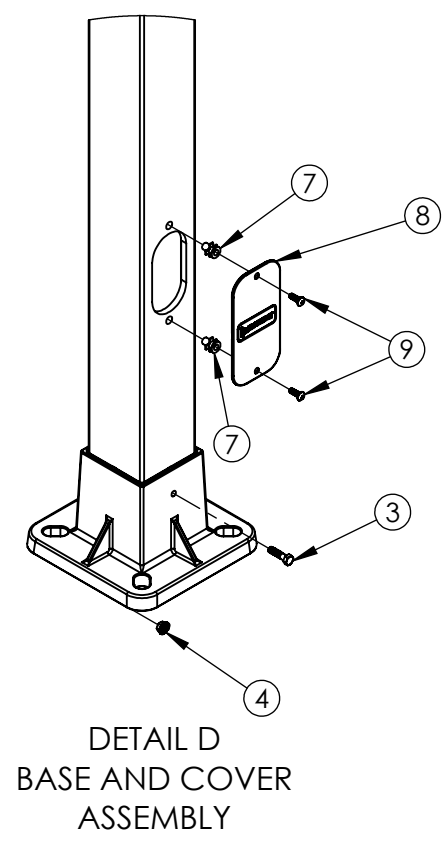
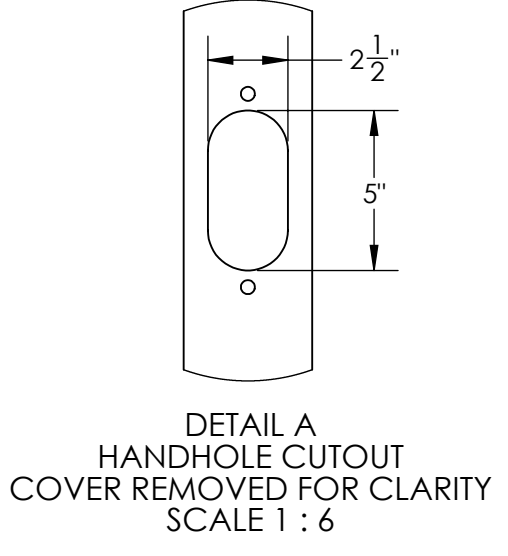
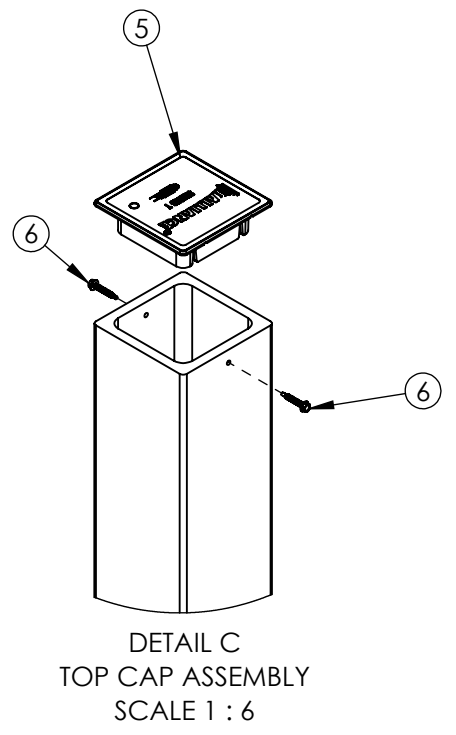
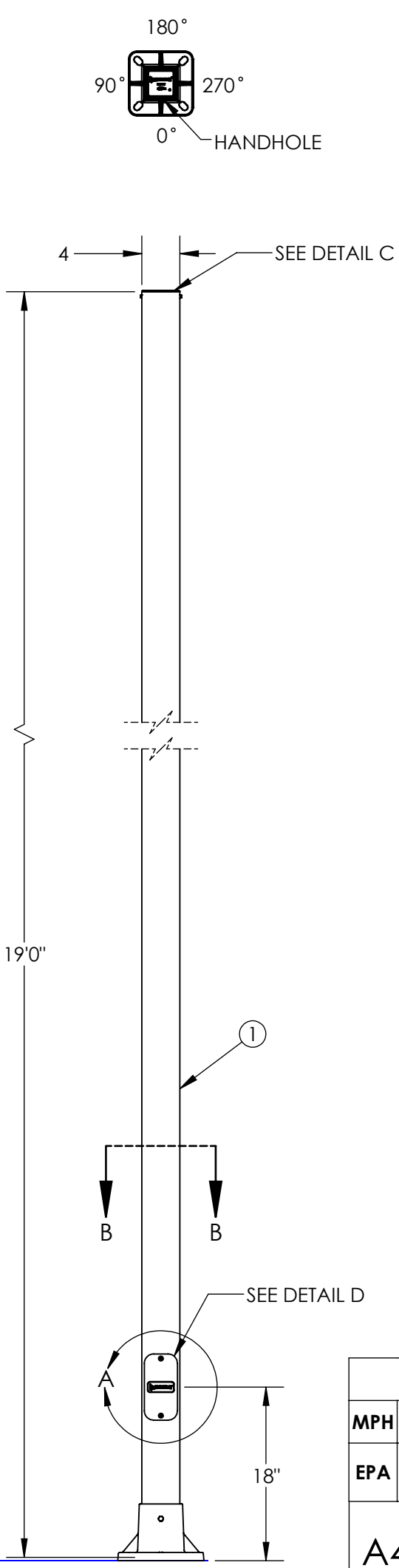
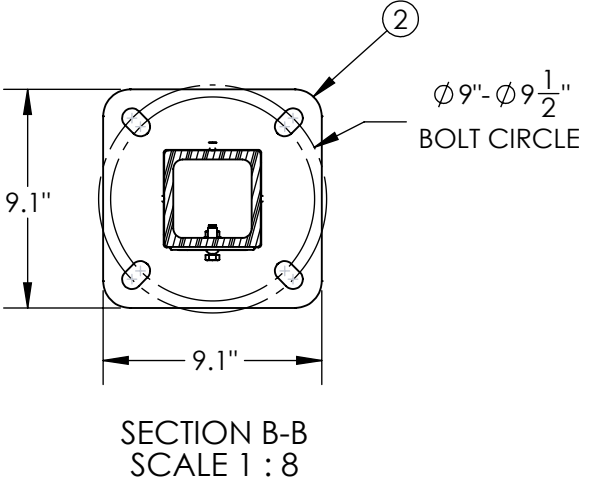
1

ITEM NO.	DESCRIPTION	QTY.
1	BEAM, PULTRUDED STOCK	1
2	ANCHOR BASE, 4" SQUARE	1
3	HEX BOLT	1
4	FLANGE NUT, SERRATED	1
5	TOP CAP, T5	1
6	HEX SCREW, #8-18 x 1 in	2
7	RIVET NUT, 1/4-20	2
8	HANDHOLE COVER	1
9	PHILLIPS SCREW, 1/4"-20x3/4"	2

REVISIONS				
REV.	DESCRIPTION	DATE	INITIALS	ECO

FEATURE ORIENTATIONS				
	0°	90°	180°	270°
HAND HOLE	X			

NOTE: ALL HOLES DRILLED ONLY THROUGH THE FACES SPECIFIED BY 'X'



	BUILD	HEAVY								
	FINISH	SMOOTH								
MAXIMUM EPA PER WINDZONE										
MPH	90	100	110	120	130	140	150	160	170	180
EPA	19	14.4	11	8.4	6.5	6	4.6	3.4	2.4	1.5

A4SH19F00S1 ↓ GXHH

G = GRAY
A = BLACK
F = BRONZE
W = WHITE
N = GREEN

NOTES:

1. ANCHOR BASE CLASS 1 POLE PER ASTM 4923. POLE TOP DEFLECTION SHALL NOT EXCEED 15% OF THE ABOVE GROUND HEIGHT AT MAXIMUM WIND LOADING AND MAXIMUM FIXTURE WEIGHT.
2. DESIGN CRITERIA PER AASHTO LTS-6-2013 WITH A MINIMUM SAFETY FACTOR OF 1.5 PER ANSI C136.20-2012.
3. WIND SPEEDS DEFINED AS 3 SECOND GUST PER ASCE 7-16 WITH VELOCITY CONVERSIONS PER 2018 IBC 1609.3.1.

---UNLESS OTHERWISE SPECIFIED---
 DIMENSION UNITS ARE IN FEET AND INCHES
 DIMENSIONS SHOWN ARE NOMINAL


PROPRIETARY AND CONFIDENTIAL
 THE INFORMATION CONTAINED IN THIS DRAWING IS THE SOLE PROPERTY OF GEOTEK. ANY REPRODUCTION IN PART OR AS A WHOLE WITHOUT THE WRITTEN PERMISSION OF GEOTEK IS PROHIBITED.

CUSTOMER SIGNATURE: _____ DATE: _____

STATE: RELEASED 2024-04-15
 DRAWN: ARK 2024-04-11
 CHECKED: AKS 2024-04-15
 APPROVED: ARK 2024-04-15
 REPLACES: -

THIRD ANGLE PROJECTION

-REFERENCES-
 alliancecompositesinc.com/warranty
 geotek.com/termsandconditions




DESCRIPTION: POLE ASSEMBLY, ANCHOR BASE HEAVY DUTY, 19 FT

1421 SECOND AVE NW
 STEWARTVILLE, MN 55976
 (800) 533-1680
 www.geotek.com

SIZE: DWG. NO. **B A4SH19F00S1XGXHH**

SCALE: 1:10

POLE COLOR: REV: 0.0

SHEET 1 OF 1