

4

3

2

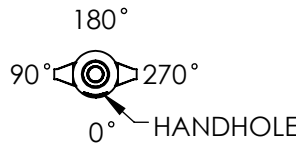
1

ITEM NO.	PART NUMBER	DESCRIPTION	DESCRIPTION 2	QTY.
1	POLE	POLE, DIRECT BURIAL	-	1
2	TEN-0001	2-3/8" O.D. TENON	3-1/2" HEIGHT	1
3	COV-0012	HANDHOLE COVER, 2-1/2" X 5"	ROUND TAPERED	1
4	RN0250-0003	RIVET NUT, 1/4-20	.280 - .500 GRIP RANGE	2
5	PS0250-0008	PHILLIPS SCREW 1/4"-20 X 1"	ZINC	2

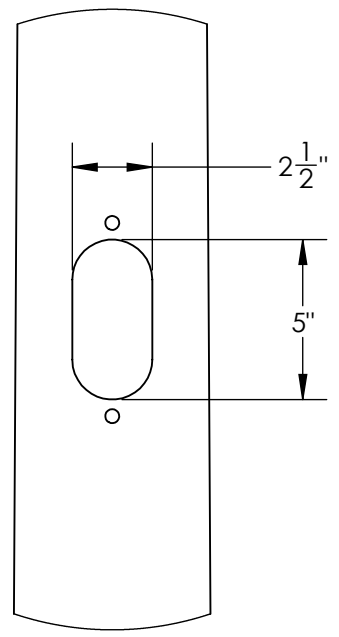
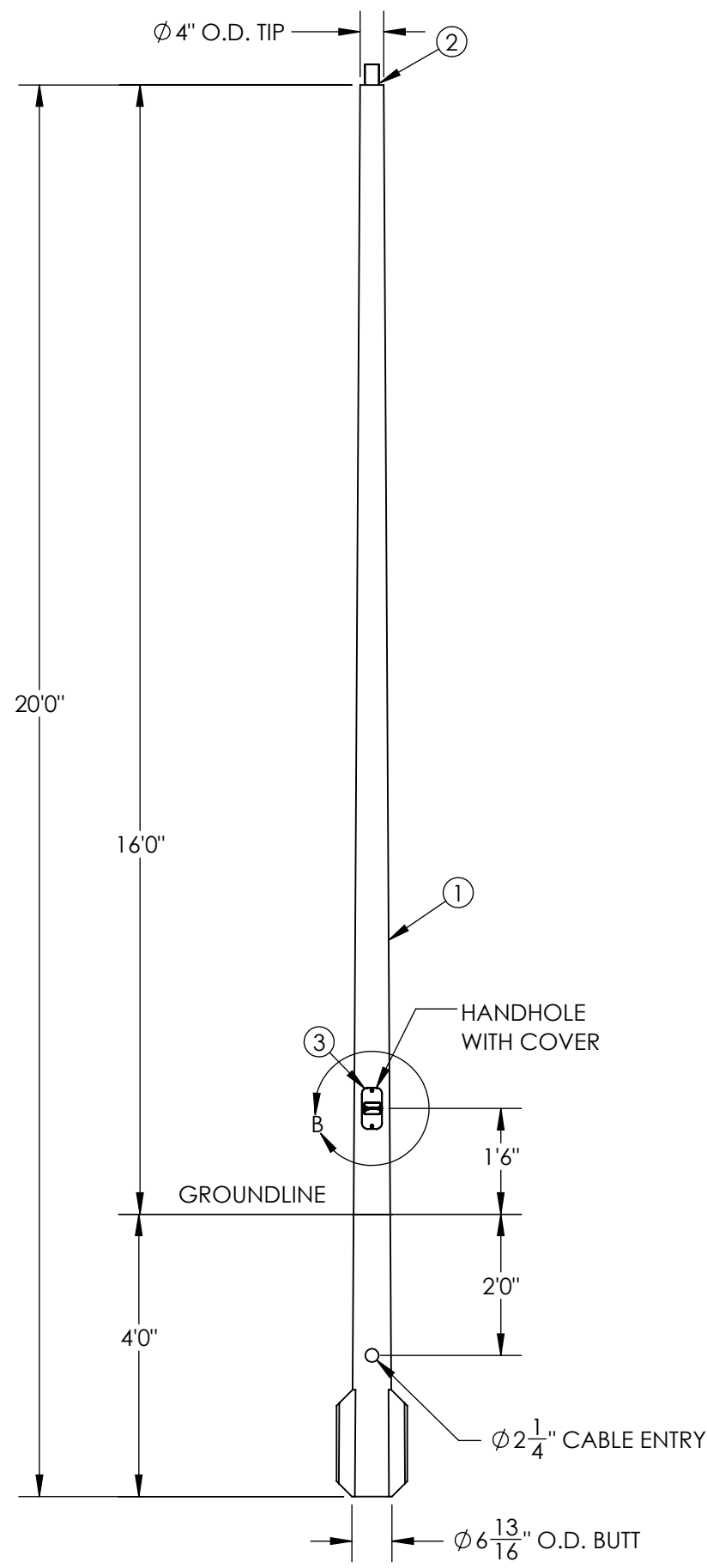
REVISIONS			
ECO	REV.	DESCRIPTION	DATE

FEATURE ORIENTATIONS

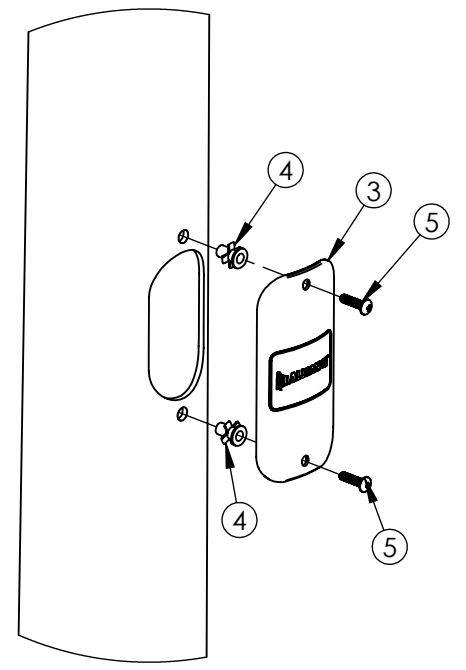
	0°	90°	180°	270°
CABLE ENTRY	X			
HAND HOLE	X			



NOTE: ALL HOLES DRILLED ONLY THROUGH THE FACES SPECIFIED BY 'X'



DETAIL B  
HANDHOLE CUTOUT  
COVER REMOVED FOR CLARITY  
SCALE 1 : 6



DETAIL A  
COVER ASSEMBLY  
SCALE 1 : 6

MAXIMUM EPA PER WINDZONE										
MPH	90	100	110	120	130	140	150	160	170	180
EPA	18.8	14.6	11.5	9.1	7.6	7.2	6.2	5.3	4.6	4.0

- NOTES:
- DIRECT BURIAL CLASS 1 POLE PER ASTM 4923. POLE TOP DEFLECTION SHALL NOT EXCEED 15% OF THE ABOVE GROUND HEIGHT AT MAXIMUM WIND LOADING AND MAXIMUM FIXTURE WEIGHT.
  - DESIGN CRITERIA PER AASHTO LTS-6-2013 WITH A MINIMUM SAFETY FACTOR OF 1.5 PER ANSI C136.20-2012.
  - WIND SPEEDS DEFINED AS 3 SECOND GUST PER ASCE 7-16 WITH VELOCITY CONVERSIONS PER 2018 IBC 1609.3.1.
  - EMBEDMENT BASED ON MINIMUM DEPTH RECOMMENDED BY ANSI C136.20-2012 SECTION 5.3 AND ASSUMING CLASS 1 SOIL OR BETTER WHEN LOADED AT MAXIMUM EPA.

N = NATURAL FINISH  
S = SMOOTH FINISH

D4TE20F00↑2↓GXHHM

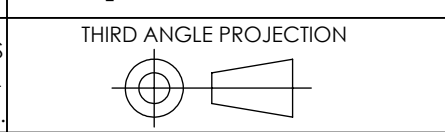
G = GRAY  
A = BLACK  
F = BRONZE  
W = WHITE  
N = GREEN

---UNLESS OTHERWISE SPECIFIED---  
DIMENSION UNITS ARE IN FEET AND INCHES  
DIMENSIONS SHOWN ARE NOMINAL

STATE:	RELEASED	2024-01-16
DRAWN:	AJH	2024-01-11
CHECKED:	STK	2024-01-12
APPROVED:	AJH	2024-01-16
REPLACES:		



PROPRIETARY AND CONFIDENTIAL  
THE INFORMATION CONTAINED IN THIS DRAWING IS THE SOLE PROPERTY OF GEOTEK. ANY REPRODUCTION IN PART OR AS A WHOLE WITHOUT THE WRITTEN PERMISSION OF GEOTEK IS PROHIBITED.



DESCRIPTION:  
POLE ASSEMBLY, DIRECT BURIAL  
EXTRA HEAVY DUTY, 20FT

1421 SECOND AVE NW  
STEWARTVILLE, MN 55976  
(800) 533-1680  
www.geotek.com

CUSTOMER SIGNATURE: \_\_\_\_\_ DATE: \_\_\_\_\_

-REFERENCES-  
alliancecompositesinc.com/warranty  
geotek.com/termsandconditions

SIZE: DWG. NO.  
**B D4TE20F00X2XGXHHM**

POLE COLOR: REV:  
0.0