

4

3

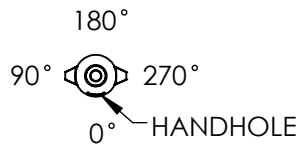
2

1

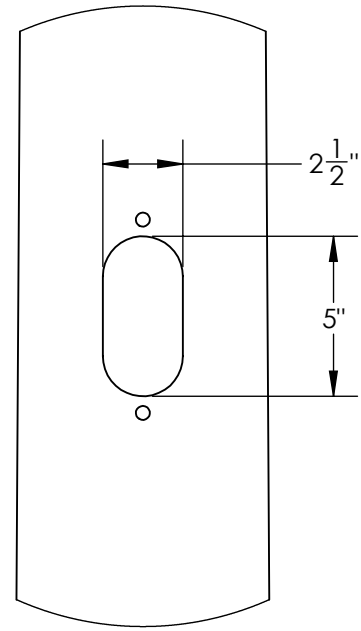
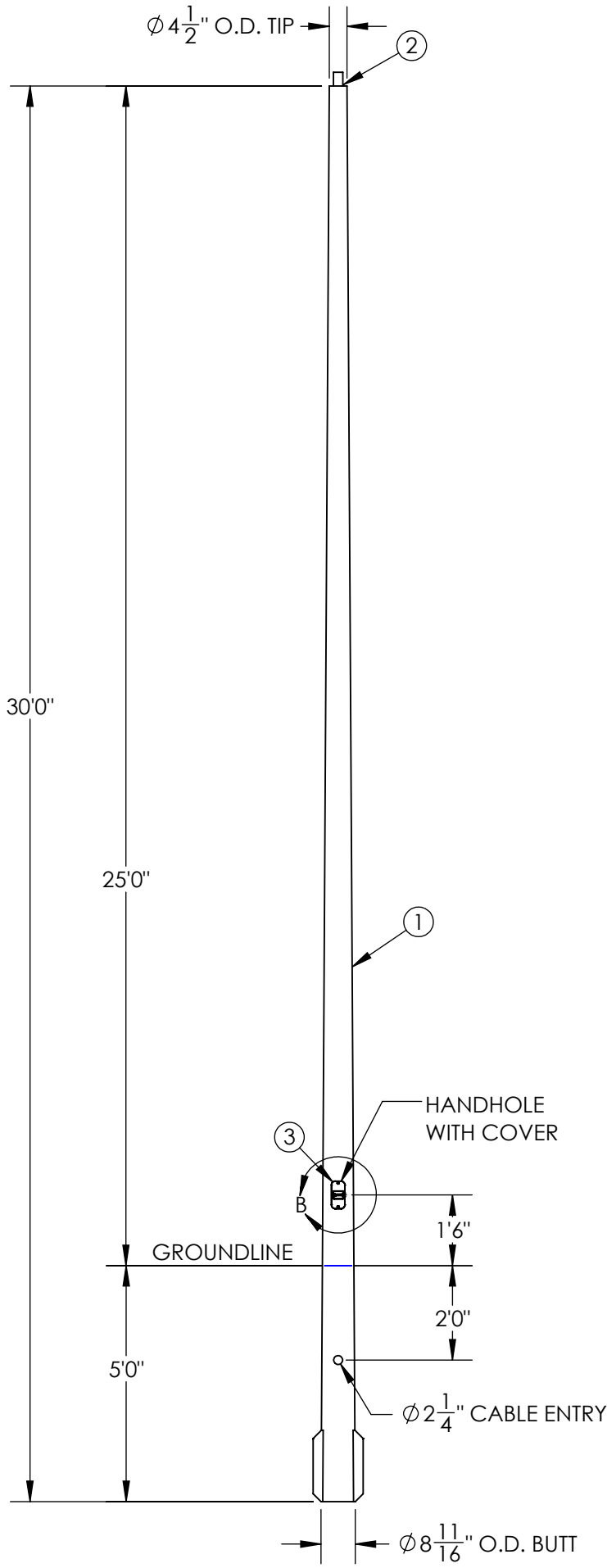
ITEM NO.	PART NUMBER	DESCRIPTION	DESCRIPTION 2	QTY.
1	POLE	POLE, DIRECT BURIAL	STANDARD DUTY, 30 FT	1
2	TEN-0003	TENON 2-3/8"	3-1/2" HEIGHT	1
3	COV-0012	HANDHOLE COVER, 2-1/2" X 5"	ROUND TAPERED	1
4	RN0250-0003	RIVET NUT, 1/4-20	.280 - .500 GRIP RANGE	2
5	PS0250-0008	PHILLIPS SCREW 1/4"-20 X 1"	ZINC	2

REVISIONS			
ECO	REV.	DESCRIPTION	DATE

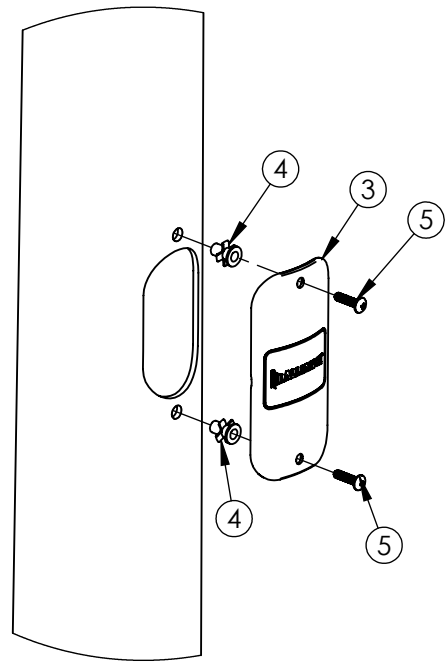
FEATURE ORIENTATIONS				
	0°	90°	180°	270°
CABLE ENTRY	X			
HAND HOLE	X			



NOTE: ALL HOLES DRILLED ONLY THROUGH THE FACES SPECIFIED BY 'X'



DETAIL B
HANDHOLE CUTOUT
COVER REMOVED FOR CLARITY
SCALE 1 : 6



DETAIL A
COVER ASSEMBLY
SCALE 1 : 6

MAXIMUM EPA PER WINDZONE										
MPH	90	100	110	120	130	140	150	160	170	180
EPA	10.8	7.6	5.8	4.5	3.7	3.5	2.9	2.4	1.9	1.6

- NOTES:
- DIRECT BURIAL CLASS 1 POLE PER ASTM 4923. POLE TOP DEFLECTION SHALL NOT EXCEED 15% OF THE ABOVE HEIGHT AT MAX WIND LOADING AND MAX FIXTURE WEIGHT.
 - DESIGN CRITERIA PER AASHTO LTS-6-2013, WITH A MINIMUM SAFETY FACTOR OF 1.5 PER ANSI C136.20-2012, AND WIND SPEEDS PER ASCE 7-16 OR NEWER.
 - EMBEDMENT BASED ON MINIMUM DEPTH RECOMMENDED BY ANSI C136.20-2012 SECTION 5.3 AND ASSUMING CLASS 2 SOIL OR BETTER WHEN LOADED AT MAXIMUM EPA.

N = NATURAL FINISH
S = SMOOTH FINISH

D5TS30F0012GXHH

G = GRAY
A = BLACK
F = BRONZE
W = WHITE
N = GREEN

---UNLESS OTHERWISE SPECIFIED--- DIMENSION UNITS ARE IN FEET AND INCHES DIMENSIONS SHOWN ARE NOMINAL	STATE:	REVIEW	2023-03-24
	DRAWN:	BMR	2023-03-13
	CHECKED:	AJH	2023-03-24
	APPROVED:		2022-06-06
REPLACES:			

THIRD ANGLE PROJECTION

CUSTOMER SIGNATURE: _____ DATE: _____

DESCRIPTION:
POLE SYSTEM, DIRECT BURIAL
STANDARD DUTY, 30 FT

1421 SECOND AVE NW
STEWARTVILLE, MN 55976
(800) 533-1680
www.geotek.com

SIZE: DWG. NO. **B D5TS30F00X2XGXHHM**

SCALE: 1:28 | WEIGHT: 80 LBS

POLE COLOR: _____ REV: 0.0

SHEET 1 OF 1

4

3

2

1