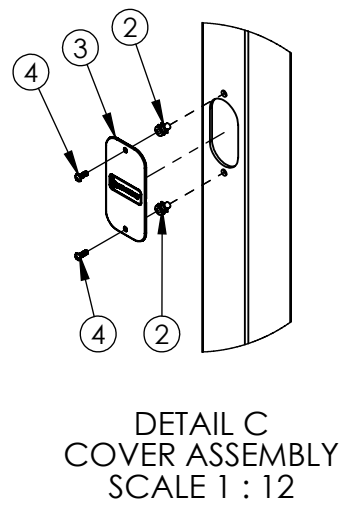
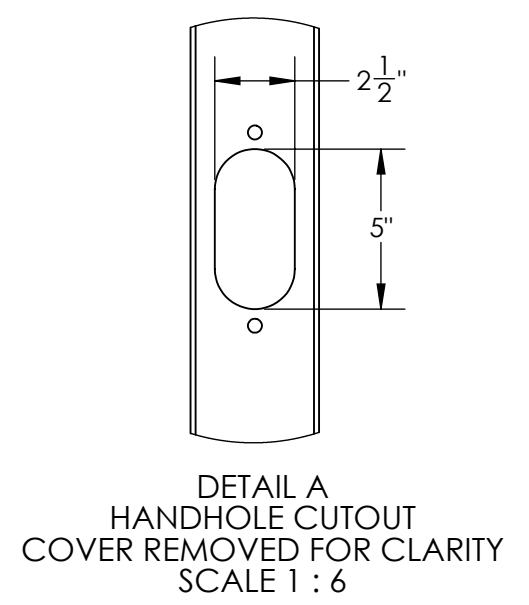
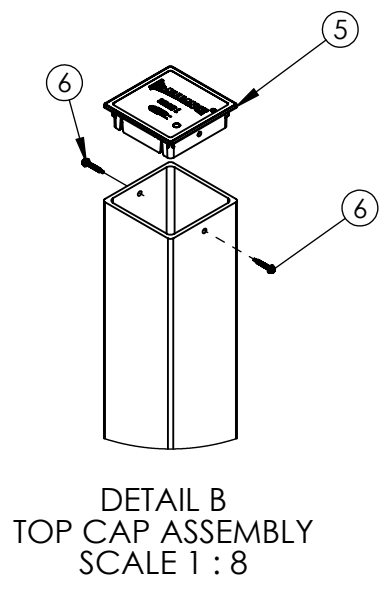
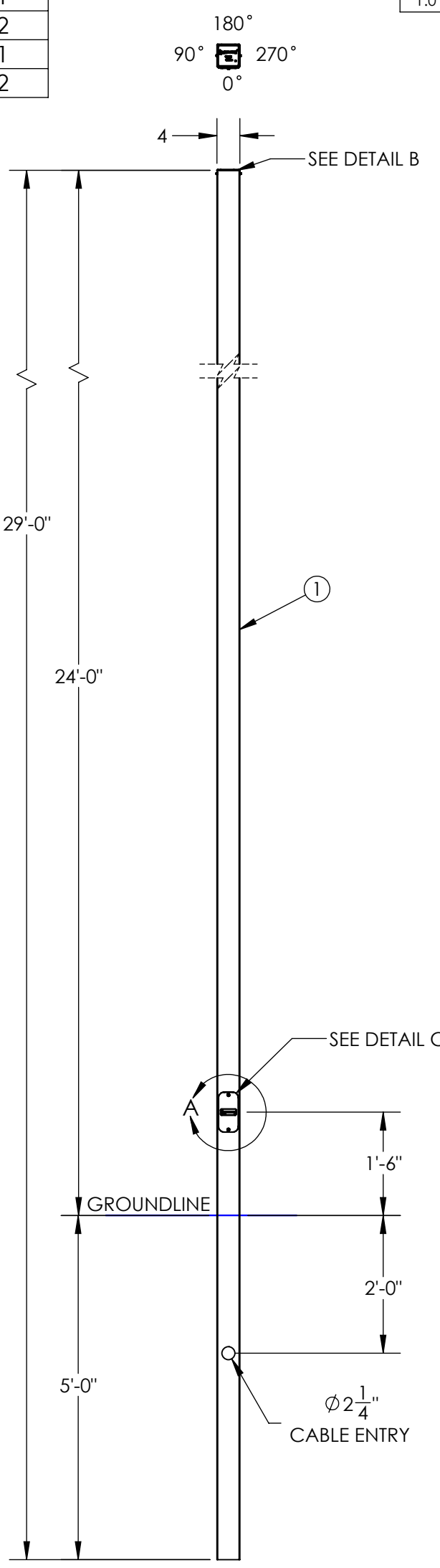


ITEM NO.	DESCRIPTION	QTY.
1	BEAM, PULTRUDED STOCK	1
2	RIVET NUT, 1/4-20	2
3	HANDHOLE COVER	1
4	PHILLIPS SCREW, 1/4"-20x3/4"	2
5	TOP CAP	1
6	HEX SCREW, #8-18 x 1 in	2

REVISIONS				
REV.	DESCRIPTION	DATE	INITIALS	ECO
0.1	UPDATE TO REFLECT CHANGES IN MODEL	7/3/2023	AJH	
0.2	UPDATE NOTES	7/11/2023	AJH	6243
1.0	UPDATE TABLE AND SHEET FORMAT	4/10/2024	ARK	6714

FEATURE ORIENTATIONS				
	0°	90°	180°	270°
HAND HOLE	X			
CABLE ENTRY	X			

**NOTE:** ALL HOLES DRILLED ONLY THROUGH THE FACES SPECIFIED BY 'X'



△ 1.0	BUILD		STANDARD							
	FINISH		SMOOTH							
<b>MAXIMUM EPA PER WINDZONE</b>										
MPH	90	100	110	120	130	140	150	160	170	180
EPA	6.9	4.3	2.4	0.9	-	-	-	-	-	-

- NOTES:**
- DIRECT BURIAL CLASS 1 POLE PER ASTM 4923. POLE TOP DEFLECTION SHALL NOT EXCEED 15% OF THE ABOVE GROUND HEIGHT AT MAXIMUM WIND LOADING AND MAXIMUM FIXTURE WEIGHT.
  - DESIGN CRITERIA PER AASHTO LTS-6-2013 WITH A MINIMUM SAFETY FACTOR OF 1.5 PER ANSI C136.20-2012.
  - WIND SPEEDS DEFINED AS 3 SECOND GUST PER ASCE 7-16 WITH VELOCITY CONVERSIONS PER 2018 IBC 1609.3.1.
  - EMBEDMENT BASED ON MINIMUM DEPTH RECOMMENDED BY ANSI C136.20-2012 SECTION 5.3 AND ASSUMING CLASS 2 SOIL OR BETTER WHEN LOADED AT MAXIMUM EPA.

**D5SS29F00S1** ↓ **GXHH**

**G = GRAY**  
**A = BLACK**  
**F = BRONZE**  
**W = WHITE**  
**N = GREEN**

<p>---UNLESS OTHERWISE SPECIFIED---</p> <p>DIMENSION UNITS ARE IN FEET AND INCHES DIMENSIONS SHOWN ARE NOMINAL</p>	STATE: RELEASED	2024-04-15
	DRAWN: CJM	2023-06-22
	CHECKED: IAB	2024-04-15
	APPROVED: ARK	2024-04-15
<p>REPLACES: -</p>		
<p><b>PROPRIETARY AND CONFIDENTIAL</b></p> <p>THE INFORMATION CONTAINED IN THIS DRAWING IS THE SOLE PROPERTY OF GEOTEK. ANY REPRODUCTION IN PART OR AS A WHOLE WITHOUT THE WRITTEN PERMISSION OF GEOTEK IS PROHIBITED.</p>	<p>THIRD ANGLE PROJECTION</p>	
	<p><b>-REFERENCES-</b></p> <p>alliancecompositesinc.com/warranty geotek.com/termsandconditions</p>	
CUSTOMER SIGNATURE:	DATE:	

A Whole New World of Composites

DESCRIPTION: POLE SYSTEM, DIRECT BURIAL STANDARD DUTY, 29 FT

1421 SECOND AVE NW  
STEWARTVILLE, MN 55976  
(800) 533-1680  
www.geotek.com

SIZE: DWG. NO.	POLE COLOR: REV:
<b>B D5SS29F00S1XGXHH</b>	<b>1.0</b>

SCALE: 1:18