

4

3

2

1

ITEM NO.	DESCRIPTION	QTY.
1	BEAM, PULTRUDED STOCK	1
2	HANDHOLE COVER	1
3	RIVET NUT, 1/4-20	2
4	PHILLIPS SCREW, 1/4"-20x3/4"	2
5	TOP CAP, T5	1
6	HEX SCREW, #8-18 x 1 in	2

REVISIONS				
REV.	DESCRIPTION	DATE	INITIALS	ECO

H

H

G

G

F

F

E

E

D

D

C

C

B

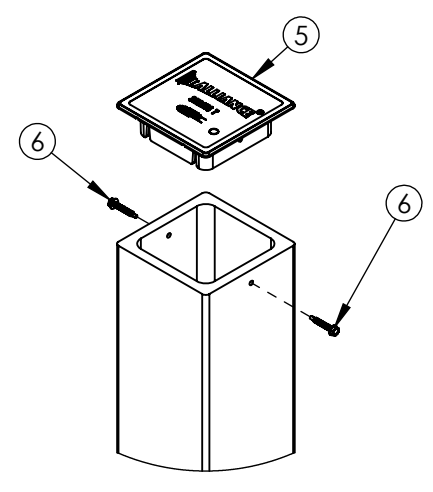
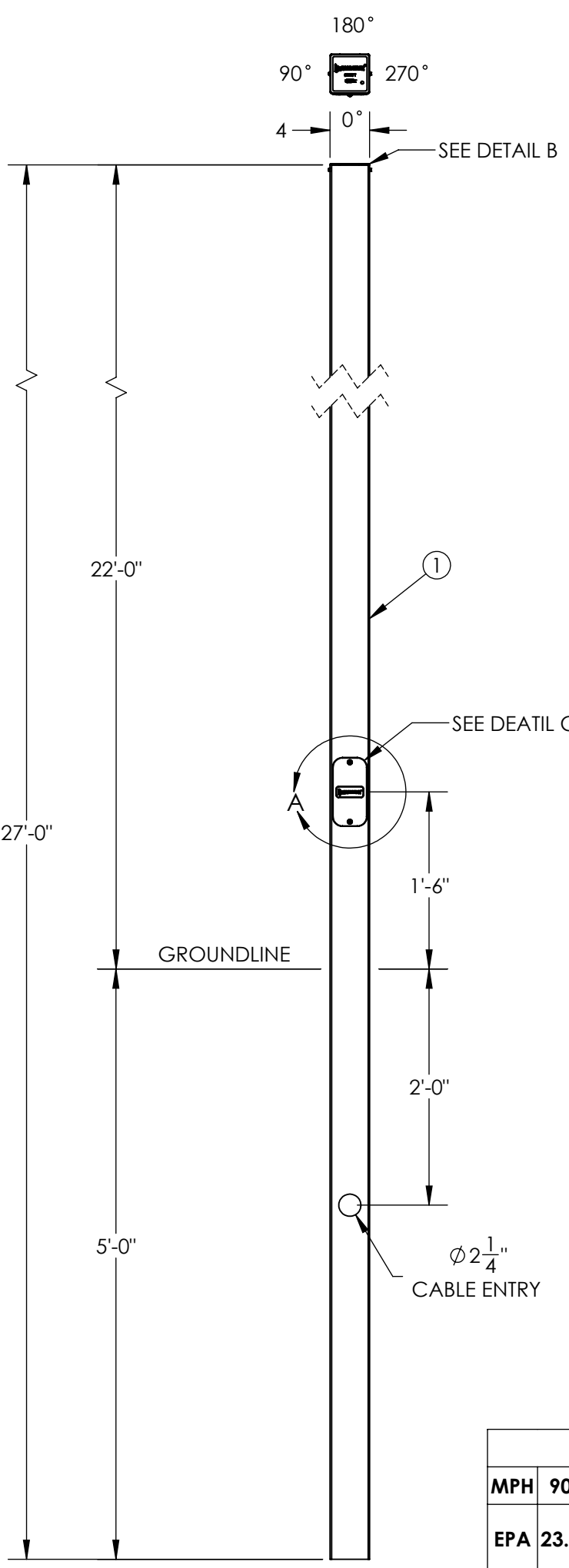
B

A

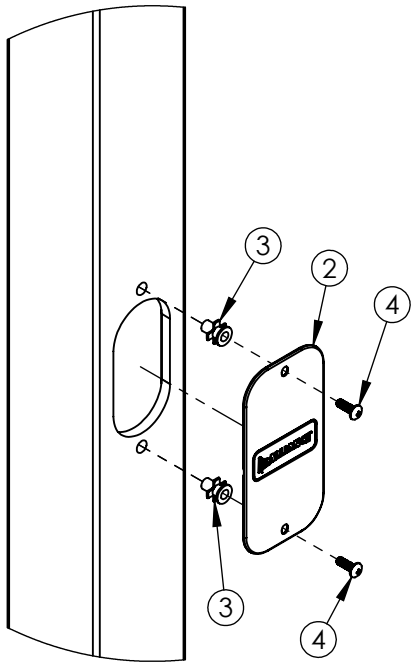
A

FEATURE ORIENTATIONS				
	0°	90°	180°	270°
HAND HOLE	X			
CABLE ENTRY	X			

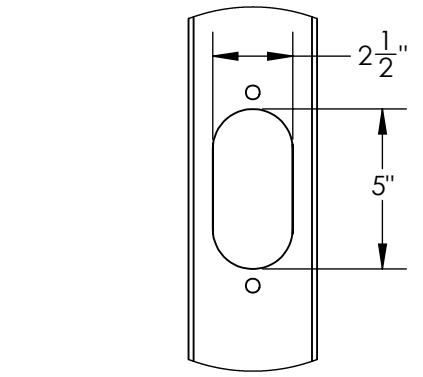
NOTE: ALL HOLES DRILLED ONLY THROUGH THE FACES SPECIFIED BY 'X'



DETAIL B
TOP CAP ASSEMBLY
SCALE 1 : 6



DETAIL C
COVER ASSEMBLY



DETAIL A
HANDHOLE CUTOUT
COVER REMOVED FOR CLARITY
SCALE 1 : 6

BUILD	HEAVY
FINISH	SMOOTH

MAXIMUM EPA PER WINDZONE										
MPH	90	100	110	120	130	140	150	160	170	180
EPA	23.1	17.5	13.4	10.3	8.0	7.5	5.7	4.2	3.0	2.0

- NOTES:
1. DIRECT BURIAL CLASS 1 POLE PER ASTM 4923. POLE TOP DEFLECTION SHALL NOT EXCEED 15% OF THE ABOVE GROUND HEIGHT AT MAXIMUM WIND LOADING AND MAXIMUM FIXTURE WEIGHT.
 2. DESIGN CRITERIA PER AASHTO LTS-6-2013 WITH A MINIMUM SAFETY FACTOR OF 1.5 PER ANSI C136.20-2012.
 3. WIND SPEEDS DEFINED AS 3 SECOND GUST PER ASCE 7-16 WITH VELOCITY CONVERSIONS PER 2018 IBC 1609.3.1.
 4. EMBEDMENT BASED ON MINIMUM DEPTH RECOMMENDED BY ANSI C136.20-2012 SECTION 5.3 AND ASSUMING CLASS 1 SOIL OR BETTER WHEN LOADED AT MAXIMUM EPA.

D5SH27F00S1 ↓ GXHH

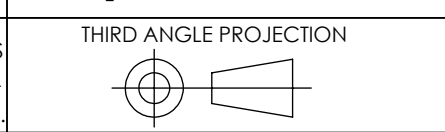
G = GRAY
A = BLACK
F = BRONZE
W = WHITE
N = GREEN

---UNLESS OTHERWISE SPECIFIED---
DIMENSION UNITS ARE IN FEET AND INCHES
DIMENSIONS SHOWN ARE NOMINAL

STATE:	RELEASED	2024-04-16
DRAWN:	ARK	2024-04-15
CHECKED:	NDH	2024-04-15
APPROVED:	ARK	2024-04-16
REPLACES:		



PROPRIETARY AND CONFIDENTIAL
THE INFORMATION CONTAINED IN THIS DRAWING IS THE SOLE PROPERTY OF GEOTEK. ANY REPRODUCTION IN PART OR AS A WHOLE WITHOUT THE WRITTEN PERMISSION OF GEOTEK IS PROHIBITED.



DESCRIPTION:
POLE ASSEMBLY, DIRECT BURIAL HEAVY DUTY, 27 FT

1421 SECOND AVE NW
STEWARTVILLE, MN 55976
(800) 533-1680
www.geotek.com

CUSTOMER SIGNATURE: _____ DATE: _____

-REFERENCES-
alliancecompositesinc.com/warranty
geotek.com/termsandconditions

SIZE: DWG. NO. **B D5SH27F00S1XGXHH**

POLE COLOR: REV: 0.0

4

3

2

1