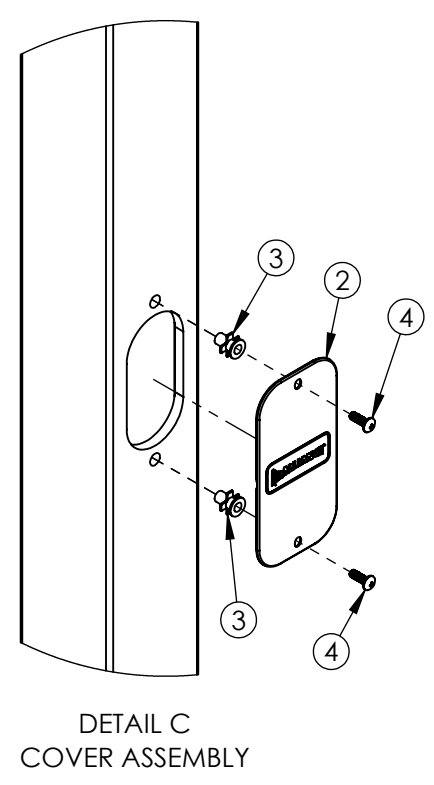
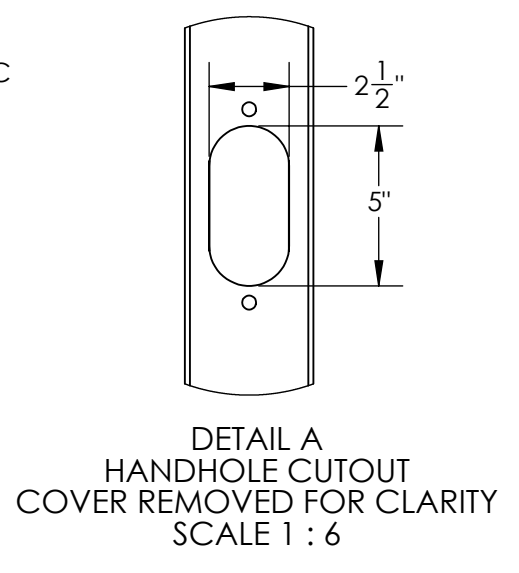
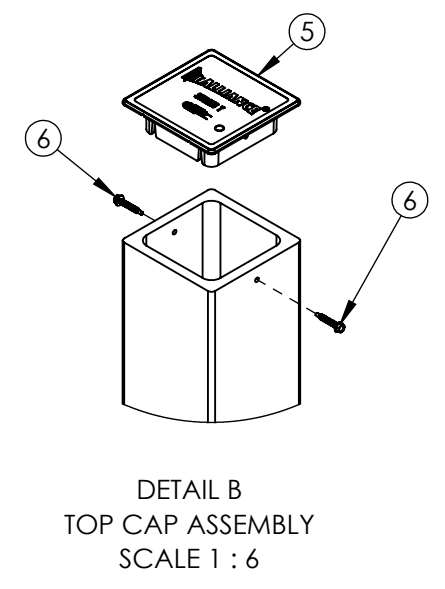
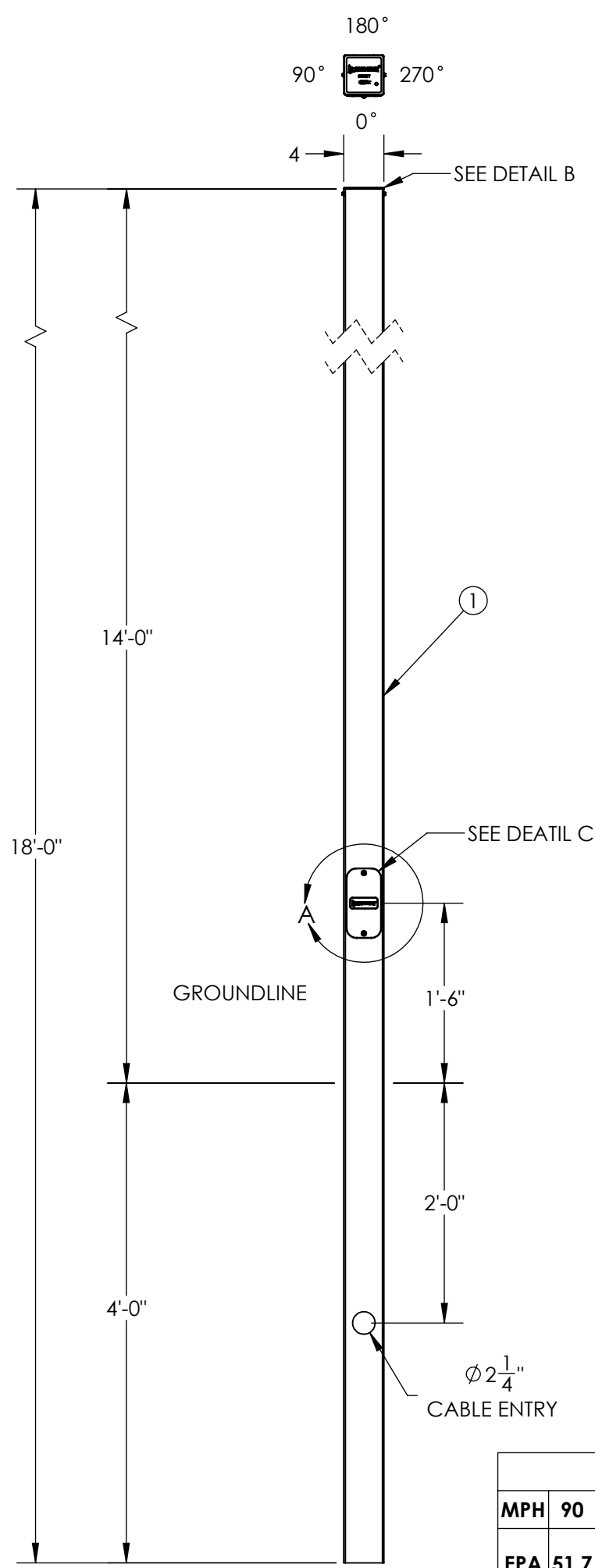


ITEM NO.	DESCRIPTION	QTY.
1	BEAM, PULTRUDED STOCK	1
2	HANDHOLE COVER	1
3	RIVET NUT, 1/4-20	2
4	PHILLIPS SCREW, 1/4"-20x3/4"	2
5	TOP CAP, T5	1
6	HEX SCREW, #8-18 x 1 in	2

REVISIONS				
REV.	DESCRIPTION	DATE	INITIALS	ECO

FEATURE ORIENTATIONS				
	0°	90°	180°	270°
HAND HOLE	X			
CABLE ENTRY	X			

**NOTE:** ALL HOLES DRILLED ONLY THROUGH THE FACES SPECIFIED BY 'X'



<b>BUILD</b>	HEAVY
<b>FINISH</b>	SMOOTH

MAXIMUM EPA PER WINDZONE										
MPH	90	100	110	120	130	140	150	160	170	180
EPA	51.7	41.1	33.3	27.3	23.1	22.0	18.7	16.0	13.7	11.8

- NOTES:**
- DIRECT BURIAL CLASS 1 POLE PER ASTM 4923. POLE TOP DEFLECTION SHALL NOT EXCEED 15% OF THE ABOVE GROUND HEIGHT AT MAXIMUM WIND LOADING AND MAXIMUM FIXTURE WEIGHT.
  - DESIGN CRITERIA PER AASHTO LTS-6-2013 WITH A MINIMUM SAFETY FACTOR OF 1.5 PER ANSI C136.20-2012.
  - WIND SPEEDS DEFINED AS 3 SECOND GUST PER ASCE 7-16 WITH VELOCITY CONVERSIONS PER 2018 IBC 1609.3.1.
  - EMBEDMENT BASED ON MINIMUM DEPTH RECOMMENDED BY ANSIC136.20-2012 SECTION 5.3. EMBEDMENT SHOWN MAY REQUIRE BACKFILL BETTER THAN CLASS 1 SOIL IF LOADED TO MAXIMUM EPA'S. CONTACT ALLIANCE ENGINEERING FOR DEATILS

**D4SH18F00S1** ↓ **GXHH**

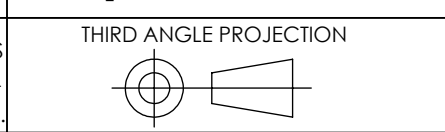
**G = GRAY**  
**A = BLACK**  
**F = BRONZE**  
**W = WHITE**  
**N = GREEN**

---UNLESS OTHERWISE SPECIFIED---  
 DIMENSION UNITS ARE IN FEET AND INCHES  
 DIMENSIONS SHOWN ARE NOMINAL

STATE:	RELEASED	2024-04-16
DRAWN:	ARK	2024-04-15
CHECKED:	NDH	2024-04-15
APPROVED:	ARK	2024-04-16
REPLACES:	-	



**PROPRIETARY AND CONFIDENTIAL**  
 THE INFORMATION CONTAINED IN THIS DRAWING IS THE SOLE PROPERTY OF GEOTEK. ANY REPRODUCTION IN PART OR AS A WHOLE WITHOUT THE WRITTEN PERMISSION OF GEOTEK IS PROHIBITED.



DESCRIPTION:  
**POLE ASSEMBLY, DIRECT BURIAL HEAVY DUTY, 18FT**

1421 SECOND AVE NW  
 STEWARTVILLE, MN 55976  
 (800) 533-1680  
 www.geotek.com

CUSTOMER SIGNATURE: \_\_\_\_\_ DATE: \_\_\_\_\_

**-REFERENCES-**  
 alliancecompositesinc.com/warranty  
 geotek.com/termsandconditions

SIZE: DWG. NO.  
**B D4SH18F00S1XGXHH**

POLE COLOR: REV:  
 \_\_\_\_\_ 0.0